

322C4588

THIRD ANGLE PROJECTION

DIMENSIONS IN INCHES UNLESS OTHERWISE STATED

DO NOT SCALE DRAWING

R	R1	R2	R3	R4	R5	R6	R7	R8	R9	R10	R11	R12	R13	R14	R15	R16	R17	R18	R19	R20	R21	R22	R23	R24	R25	R26	R27	R28	R29	R30	R31	R32	R33	R34	R		
C	C1			C2			C3			C4			C5			C6			C7			C8			C9			C10			C11			C12			C
MISC.	D1	VT1	D2	VT2	VT3	VT4	VT5	VT6	VT7	VT8	D3	VT9	D4	D5	VT10	VT11	D6	D7	VT12	VT13	D8	D9	VT14	VT15	D10	D11	D12	VT16	VT17	VT18	VT19	VT20	VT21	VT22	VT23	VT24	MISC.

USED ON 322A 4553

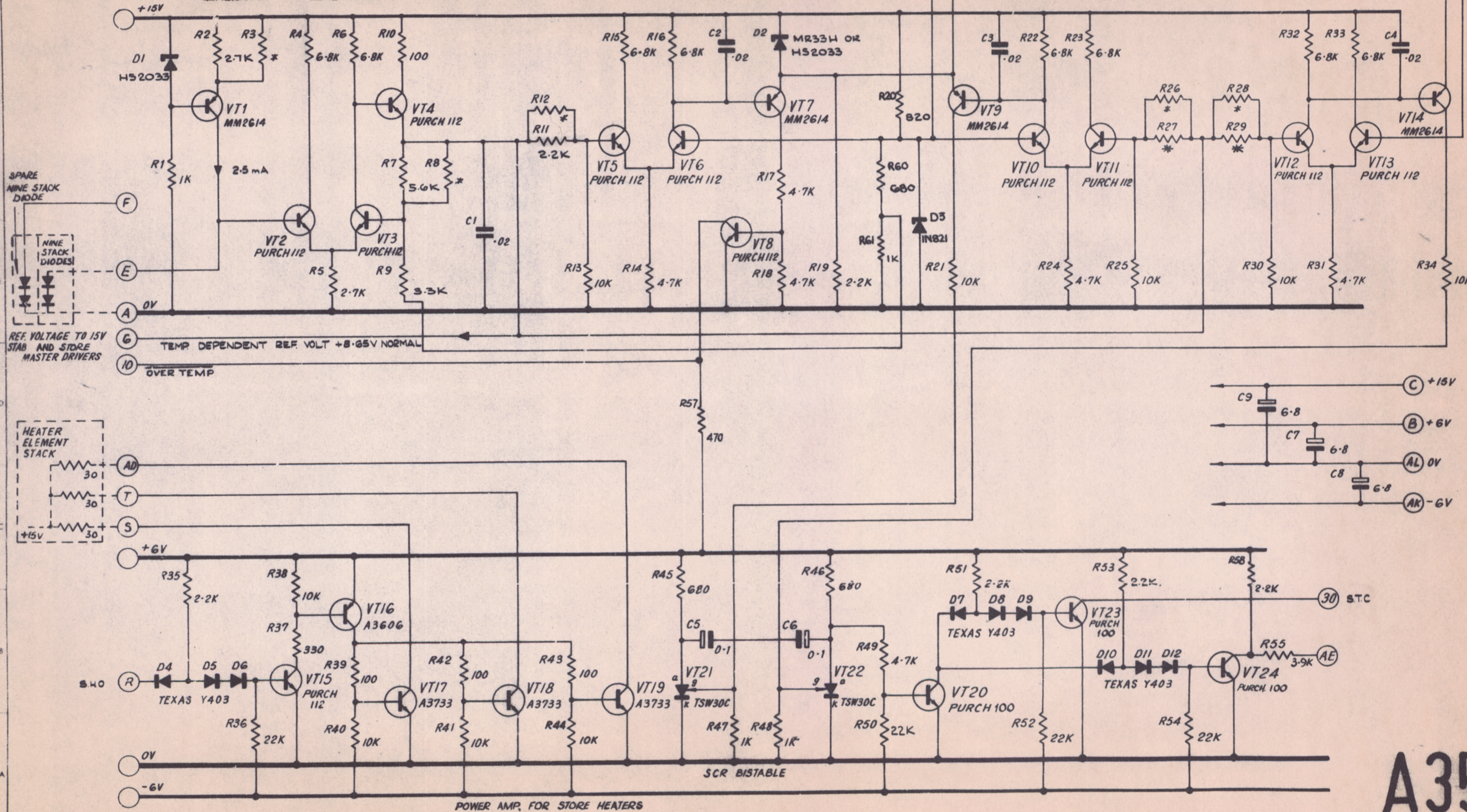
CONSTANT CURRENT GENERATOR

REFERENCE VOLTAGE GENERATOR

OVERTEMPERATURE ABOVE 70°C REF. VOLT +7.2V

RESTART HEATER OFF ABOVE -5°C. REF. VOLT +9.6V

TO COLD BELOW -15°C. REF. VOLT +9.9V



A35

NOTE - COMPONENTS MARKED * ARE SELECT ON TEST.

ISSUE No.	A	1	2	3	4	5	6
ALTERATION No.	ER 129	686	763	1134	1423	1641	1768
DATE	18-3-65	10-6-65	22-7-65	17/1/66	20-4-66	11/11/66	11-11-66
INITIALS	H.M.P.	J.S.F.	B.G.	S.P.	A.M.D.	S.P.	
PARTS LIST No.	DRAWN S. Gibbon		CHECKED C.S. 134	APPROVED	DATE 12-10-65		

MATERIAL	FINISH	ELLIOTT BROTHERS (LONDON) LTD	
<small>© Elliott Brothers (London) Limited THIS DRAWING IS THE PROPERTY OF ELLIOTT BROTHERS (LONDON) LIMITED AND MAY NOT BE COPIED USED OR DISCLOSED FOR ANY PURPOSE EXCEPT AS AUTHORIZED IN WRITING BY ELLIOTT BROTHERS (LONDON) LIMITED</small>		TOLERANCES LINEAR UNMACHINED SURFACES ± MACHINED SURFACES ± ANGULAR DIMENSIONS ± UNLESS OTHERWISE STATED	TITLE CIRCUIT DIAGRAM A-GZ UNIT (TEMP. SENSING & CONTROL)
SCALE		DRAWING No. 322C4588	

LATEST M.I. INCORPORATED M.I. 2998